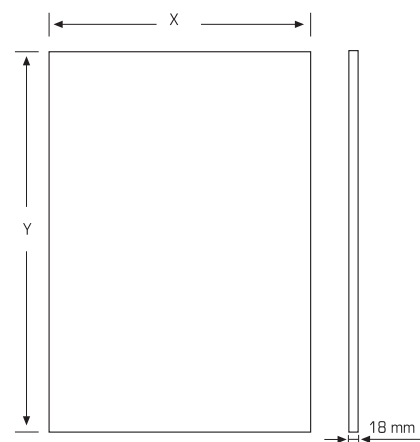
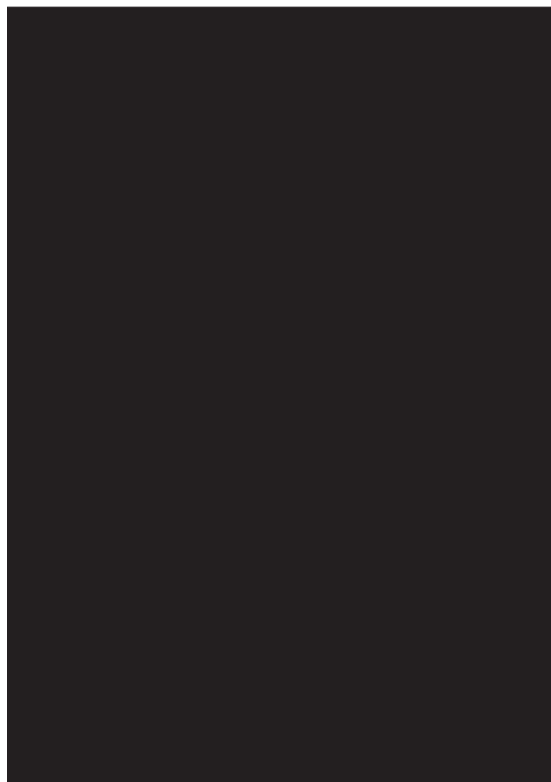




# CHALK BOARD FRAMES

# CHALK BOARD - FRAMELESS



The black board surface of the chalkboard is ideal for use with regular stick chinks, liquid chalk markers and neon wet-erase markers. Each of the chalkboard is sold with mounting hooks attached to a side for easy hanging.

Both surfaces are ideal to use with chinks, so that your display can be used for a very long time.

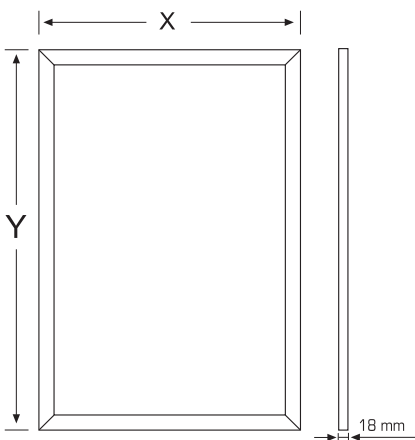
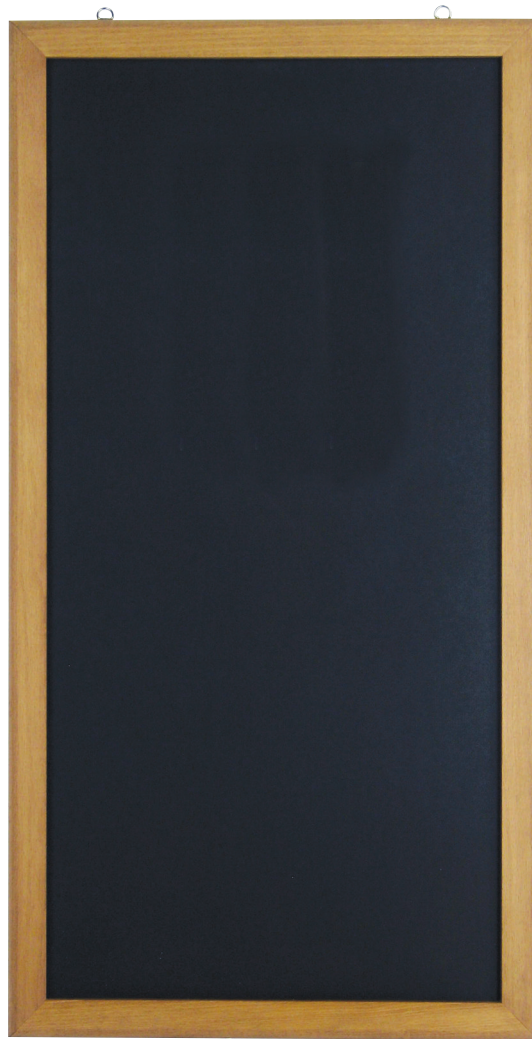
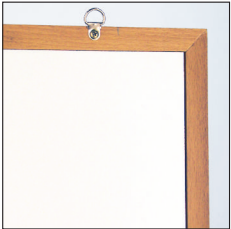
However, to make your messages stand out, we strongly suggest customers use liquid chalk markers and neon wet-erase markers.

This chalkboard, also called a menu board or restaurant sign, is an ideal way to display your messages!

Material: Plywood	
ITEM CODE	SIZE (X/Y)
CBW 042060	420 x 600 mm
CBW 050070	500 x 700 mm
CBW 050100	500 x 1000 mm
CBW 060084	600 x 840 mm
CBW 060110	600 x 1100 mm

# CHALK WOODEN FRAME

165



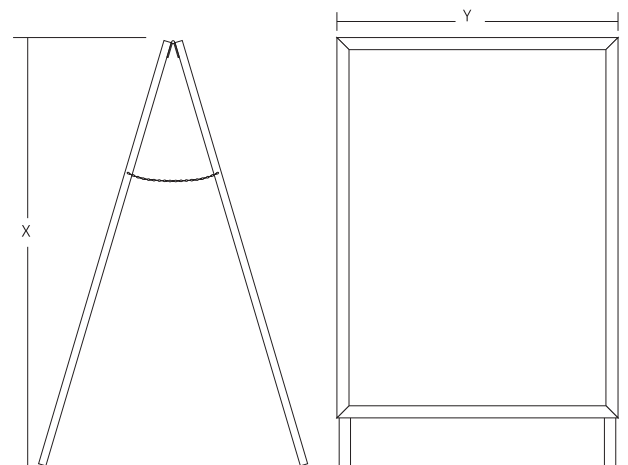
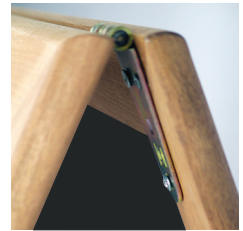
Material: Plywood

ITEM CODE	SIZE (X/Y)
CBF 042060	420 x 600 mm
CBF 050070	500 x 700 mm
CBF 050100	500 x 1000 mm
CBF 060084	600 x 840 mm
CBF 060110	600 x 1100 mm

This chalkboard, also called a menu board or restaurant sign, is an ideal way to display your messages!

The board's surface is ideal for use with liquid chalk markers or natural chalk. As the board is designed to be "wet-erase", we recommend the use of water and a sponge (you can also use paper towels) for cleaning the boards.

It may take a couple times going over the board to fully remove the markings.



Solid wooden frame A Board for displaying your messages indoor or outdoor. Chalkboards are moisture resistant MDF - 8 mm exterior grade. The black board surface of the chalkboard is ideal for use with regular stick chalks, liquid chalk markers and neon wet-erase markers. They also feature a thicker wood profile to withstand in various weather conditions. However, as they are wet-erase boards, we recommend bringing the boards in during inclement weather so your messages won't wash away in the rain, snow, etc. Quality brackets made from zinc plated, mild steel.

MATERIAL: Wood	
ITEM CODE	EXTERNAL SIZE (Y/X)
WAP 066099	660 x 990 mm